

# The Pastor's Page

"They shall not appear before the Lord empty-handed;  
All shall give as they are able, according to the blessing  
Of the Lord your God that he has given you" (Deuteronomy 16:16c-17).

The infamous youth chair still sits in the youth room. Its solid, wooden frame displays initials of our youth who carved them over many decades. It is an important chair with many sacred memories. However, no one can sit in it any more—the steel springs and the woven seat have given way to years of "flopping" teens (you know, the younger generations who can only sit by flopping themselves onto the furniture). No one has yet taken the time to take this chair to a place where the old foundation can be reinforced.

I have inquired why this is—the chair is useless to anyone wanting to sit on it. Some tell me they are afraid I will have the chair refinished, the initials sanded off, the cushions replaced, so in the end, the chair will be unrecognizable, its "sacredness" lost.

Five months ago following the approval of my Doctor of Ministry Project, we began a journey together—understanding stewardship in a new way; reinforcing what had seemingly weakened to a level no longer supporting stewardship in this church. Stewardship had attached itself to a monetary budget. Stewardship had lost its Biblical meaning of time, talent, and treasure.

This journey we are on, together, will give us the tools we need to celebrate with God how blessed we are. We have learned a new word for stewardship: discipleship. The annual budget process is on its way to the divorce courts. There will be no "stewardship season," no "stewardship drive," no dedicated Sunday in spring to bring our pledges to church, no friendly reminders to late pledgers. Instead we are discipling all year long, praising God for mission opportunities, volunteer experiences, ways in which we can use our God-given gifts to glorify our God.

However, the "chair," the experience, remains untouched—the "bottom" is hanging by a thread. When the topic of money is mentioned in the church, many are turned off by the conversation. "Spirituality should not be sullied by money," some would say. In both Old and New Testament scriptures, however, the meaning and significance of money is astonishingly clear and Godly. God gives abundantly and generously. In return we are meant to share our gifts with joy and generosity. To get there, though, we must learn how to honor our heritage as a community of faith. The subject must be put on the table for us to begin a dialogue. Money today is misunderstood and maligned in our lives as followers of Christ—our faith informs the way we live, including how we spend our money. If we cannot come to a level of trust with one another and God to talk about money, a blessing from God—if you are afraid I will sand down the initials and reupholster the cushions so you no longer recognize your beloved chair—then we will continue to misunderstand and malign God and money with our culture.

We have the opportunity to revitalize the spirit of generosity in our midst. Please join me in February's cottage meetings so we can engage in a dialogue we can only benefit from.

*In Christ,  
Phyllis*

# Come Worship God Through the Cold Winter Months

## Worship

February 1, 10:00 AM Worship and Communion  
5:00 PM Contemporary Worship and Communion  
February 8, 10:00 AM Worship and Baptism  
5:00 PM Contemporary Worship and Communion  
February 15, 10:00 AM Worship  
5:00 PM Contemporary Worship and Communion  
February 22, 10:00 AM Worship  
5:00 PM Contemporary Worship and Communion  
Wednesday February 25, 7:00 PM Ash Wednesday Service

## Fellowship and Celebration

Breakfast Hosted by the Men's Assoc., 8:30 AM February 8  
Annual Meeting and Pot-luck lunch February 8, 11:30 AM  
Evening Women's Assoc., 6:30 PM February 18  
Valentine's Day Dinner February 21, 6:30 PM  
Shrove Tuesday Dinner and Fun February 24, 6:00 PM

## Children's Chapel

Communion Sunday February during Worship

## Mission Opportunities

Adopt-a-Grandparent program @ Marathon Healthcare Center February 1  
Emergency Clean-up Kits  
Homeless Awareness Sleep-out Noon February 21 to Noon February 22

## Christian Education

Confirmation February 12, 3:00 - 5:00 PM

## Discipleship

Cottage Meetings (look for information in Newsletter)  
EVERYDAY!

"Called to Care" Chronicles

**Health Concerns**

Gloria Benson  
Louise Beach  
Carmen Cavallaro  
Jane Chatfield  
Ruby DeCosta  
Helen Donovan  
Shoshe Drapin  
Gayle Gourley  
Ruth Hansen  
Rev. Doreen Horstman  
Philip Jeannin  
Joyce Kathan  
Alfred Peach, Jr.  
Ann Raven  
Tina Sierra  
Joan Slapikas  
Linda Stewart  
Sandi Stewart  
Edna Talmadge  
Andrew Villardo  
Ruth Voegeli  
Kim Wadhams  
Bernice Wilson  
Margaret Worden

**Prayers for our Military, including**

Gerard Boulay, England  
A1C Joshua Campbell, Nebraska  
Christopher Chucta, Biloxi, Mississippi  
A1C Johnny De, Germany  
Darren Hale, Jr., Korea  
Edward Hall, Iraq  
Robert Holley, Parris Island  
Jim Jackson, Marines  
PFC James Kabusk, Cherry Point, NC  
Lcpl Alex Theil, Ft. Leonardwood, MO  
PFC Victor Tomaino, Iraq  
Robert Tuohy, Bagdad  
Amber Catuccio—Navy Basic Training

**The Village at East Farms**

Roy Schellhardt  
Mertyl Hintz

**Highlands Healthcare Center**

Nancy Robinson

**Glendale**

Jo Collins

**Condolences to**

Erik and Tina Soderberg on the death of his Aunt Muriel Allard January 24<sup>th</sup>.

**Prayers of Concern for our Extended Family**

Kevin (Donna Dzubak's son)  
Yves Allard (Erik Soderberg's Uncle)  
Frank Anderson (Babette Strumpf's brother)  
Norman Anderson (Babette Strumpf's brother)  
Edna Beach (Tim Beach's mother)  
The Bielek family (friends of the Vitkos)  
Harriet Blakeslee (Charlie Blakeslee's sister-in-law)  
Susan Boyle (Pete Creasey's sister)  
Joe Cavallaro (father of Carmen Cavallaro)  
Alyssa Casson (young Prospect girl)

June Chucta (Tom Chucta's Mom)  
Edna Clock (Ruby DeCosta's sister)  
Arthur Compton (Alice Palen's brother)  
Beth Creasey (Peter Creasey's sister)  
John Curtis (Dave Curtis' brother)  
Judy Czarkowsky (neighbor of Charles Peach)  
Arlene DeCosta (Ruby DeCosta's daughter-in-law)  
Kevin Delaney (Bev Allen's son-in-law)  
Lloyd Hannula (Diana Trumbley's father)  
Sean Healy (Ruby DeCosta's step-grandson)  
Robert Kathan (son of Joyce and Barney Kathan)  
Irene Kamila (Diana Trumbley's grandmother)  
Benjamin LeBlanc (Edna Talmadge's grandson and Gwenn Fischer's nephew)  
Jeff Malm (Sue Wilson's brother)  
Benny Mazzucco (Kelly Shaffer's dad)  
Hank Pavlowski (Sandi Pavolwski's Dad)  
Dorothy Plankey (mother of Paul Plankey)  
Jared Price (Pete and Chris Creasey's nephew)  
Hulda Risdon (mother of Marge Biercevicz)  
Sally Dunnigan Scott (Joan Slapikas' sister-in-law)  
Grace Sederquest (mother of Barbara Rowe)  
Kathy Sigetti (friend of Ron Peach)  
Yvonne Theriault (Linda Theriault's father-in-law)  
Arthur Wood (Christine Creasey's Dad)  
Betsey Wypychuski (Mary Ellen Pearce's cousin)

### PREPARATIONS FOR LENTEN STUDY

During Advent a group of us spent an evening discussing our experiences reading William Paul Young's The Shack. Many of you expressed a desire to read the book while others talked about rereading it. If you have ever asked the question: *Where is God when bad things happen?* you will want to read this book. Rev. Phyllis will facilitate a group discussion during Lent designed around Mac's conversations with the Trinity and Wisdom. They will be as follows:

March 1, 6:15 PM: God

March 8, 6:15 PM: Jesus

March 15, 6:15 PM: Holy Spirit/Sarayu

March 29, 6:15 PM: Wisdom/Sophia

Circle the dates, read and/or reread the book, and join us for some beautiful, theological reflections.



### INVITATION TO ARROL DREW'S 100<sup>TH</sup> BIRTHDAY CELEBRATION

Judy Fiengo and family extend an invitation to the congregation to join Arrol in celebrating her 100<sup>th</sup> birthday Sunday February 8 at 1:00 PM at the Dairy Bar (no gifts please). Arrol grew up in this church, was baptized June 12, 1921 and became a member October 7, 1923. Arrol is the oldest living member of the Prospect Congregational Church—for many years she directed the choir and was involved as a leader in quite a few activities.

### Call to the Annual Meeting

The Annual Meeting of the Prospect Congregational Church, UCC, will be held on Sunday February 8, 2009 in Fellowship Hall beginning with a Potluck Lunch. The meeting will begin 20 minutes after the end of worship service or at 11:30 a.m. (whichever is later). Childcare will be provided in Spellman Hall. The purpose of this meeting is to celebrate the work that we have accomplished in the name of Christ, elect officers, board and committee members and Association, Conference and Interfaith Ministry delegates, receive annual reports, to vote on the approved recommendation of the deacons to place Fred Shattuck as Deacon Emeritus, to discuss the possible short fall of the budget for fiscal year 2008-2009 and take action if approved by congregational vote and conduct any other business that comes before the congregation. There will be a pot-luck luncheon of soup and sandwiches to kick-off this celebration.

### Call for Vendors

33rd annual Flea Market sponsored by the Evening Women's Association will be held on Saturday March 28 from 9 am to 2 pm. We are looking for vendors for our tables, at \$25 per six-foot table. Please contact Lois Van Wagner at 758-4896 for more information and a contract.

**Our Next Monthly Dinner will be served** on Saturday, February 21 from 5-7 pm. This month's entrée will be baked stuff sole. Tickets are \$12.00 or bring in 4 can goods (to be donated to the Homeless Awareness Sleepout's effort to help the Food Pantry at Greater Waterbury Interfaith Ministries) and your dinner will be \$10.50.



**Come join us for a Mardi Gras Celebration** on Tuesday, February 24 from 6-9 pm. Come join us for this traditional Shrove Tuesday Dinner of homemade corn beef hash, pancakes, sausage and other tasty foods. Come dressed up (optional), bring your mask and beads! We'll have a frying pan race and more. Tickets are \$10/each with a \$25 family cap. Proceeds to help our church's budget.



# 8<sup>th</sup> ANNUAL HOMELESS SLEEPOUT

FEBRUARY 21<sup>ST</sup> TO 22<sup>ND</sup>  
SATURDAY TO SUNDAY  
NOON TO NOON

SPONSORED BY  
THE PROSPECT CONGREGATIONAL CHURCH SEN-  
IOR HIGH YOUTH GROUP

ALL PROCEEDS WILL BENEFIT  
THE **GWIM** SOUP KITCHEN AND FOOD PANTRY  
(GREATER WATERBURY INTERFAITH MINISTRIES)

THE MEMBERS OF THE YOUTH GROUP WILL BE  
CAMPED OUT IN MAKESHIFT SHELTERS AT THE  
INTERSECTION OF ROUTES 68 AND 69 IN PROSPECT.

THEY HOPE TO HELP RAISE AWARENESS ABOUT THE  
PLIGHT OF THE HOMELESS IN OUR COMMUNITIES.

PLEASE STOP BY WITH CANNED GOODS OR MONEY  
TO SUPPORT THEIR WORTHY CAUSE.

PLEASE DIRECT ANY QUESTIONS TO KATHY PATRICK @ 758-0045

## Board of Missions News

Wow! What a busy season here at our church! The Board of Missions would like to thank all of you who have participated in the following activities:

- Forty-one shoeboxes donated to Samaritan's Purse
- Twenty-two Thanksgiving baskets delivered locally
- Twenty-four Christmas baskets delivered locally
- 100 Thanksgiving baskets assembled at GWIM with the assistance of our church members
- Many, many awesome toys donated to the GWIM Soup Kitchen Christmas Party
- Youth group and leaders served at the Soup Kitchen during their holiday vacation
- All of the mittens were taken off the tree and gifts were purchased for families in need
- \$842.00 from the Thanksgiving Special Offering was donated to the GWIM Food Pantry
- \$1,400.00 from the Christmas Special Offering was divided between the Prospect Fuel Bank and GWIM

What a wonderful outpouring of Christian love! Thanks to all.

The Board of Missions

### Hand-to-Hand for Haiti

Joseph Michel, Director of Hand-to-Hand for Haiti is planning a trip to Gonaives, one of the cities hardest hit by the hurricanes this past summer. The trip is scheduled for February 13-22. He is looking for donations of money and hand tools to use in rebuilding damaged houses. Donations may be dropped off at the church office or you can talk to Carl Norman or Kim Palmerie.

# HOLIDAY BAZAAR UPDATE

Evening Women's Association would like to thank everyone who helped with our Bazaar this year. With purchases made up through several Sunday's after the Bazaar, proceeds reached over \$5,000. As always, all funds raised by our group go directly towards helping out our church. Without your support, great events such as this would not be possible, thank you.

Linda Theriault

## WATCH FOR UPCOMING EVENTS

---

I would like to sincerely thank all of the wonderful bakers who donated their flavorful specialties to our Baked Goods Table for the Bazaar. Thanks to all who slaved tirelessly and braved the cold to deliver, we were able to have our best year yet in sales. The Baked Goods Table could not and would not have been such a success without your delicious talents and time.

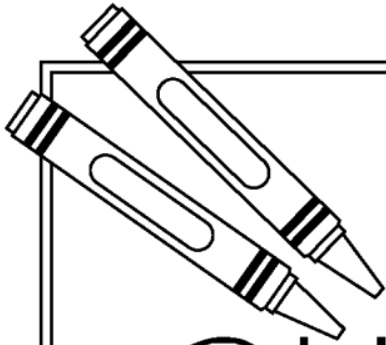
Again, I thank you all for helping to make this year a great success. May you all be blessed for the kindness you have shown.

In great appreciation, Sheri Budnik



### February Birthdays

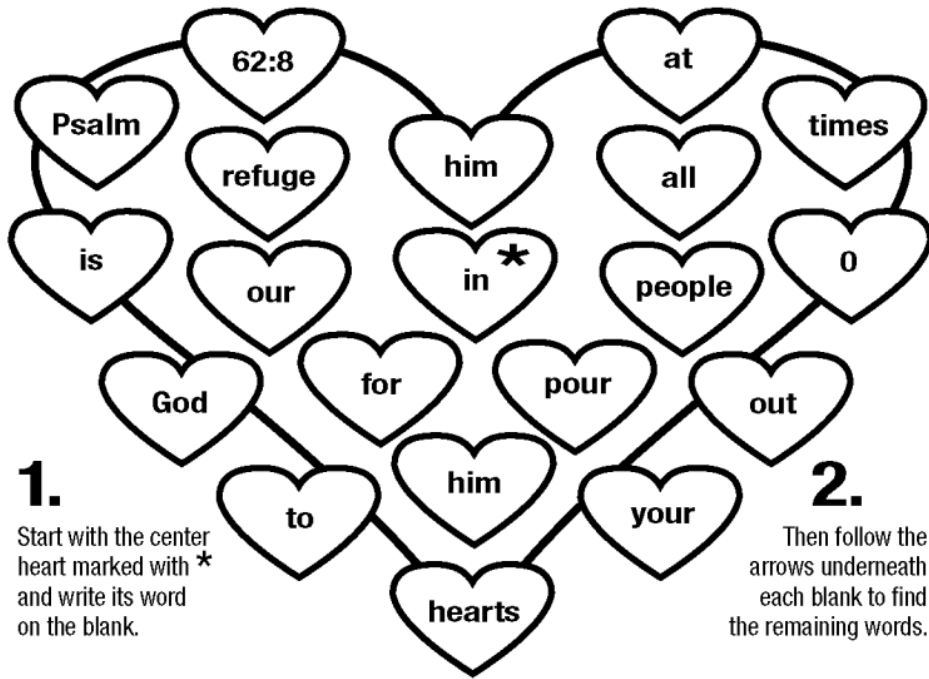
1	Doug Patrick	22	George Arndt
3	Deborah Doody		Scott Arndt
4	Amanda Gillott	25	Louise Stamat
7	Mary Koch		T.J. Snyder
14	Bill Brown	26	Erica (Milton) LaFrance
15	Kathy Arndt	27	Dave Holley
19	Katie Greateorex	28	Katie Tajmajer



# Just for **KIDS**

## OUR HEARTS

This special Bible verse from the NIV describes what God wants us to do with our hearts.



**1.**

Start with the center heart marked with \* and write its word on the blank.

**2.**

Then follow the arrows underneath each blank to find the remaining words.

“Trust \_\_\_\_\_, \_\_\_\_\_, \_\_\_\_\_, \_\_\_\_\_, \_\_\_\_\_,  
 \*            ↑            ↗            ↓            ↗  
 \_\_\_\_\_ ; \_\_\_\_\_  
 ↓            ←            ↘            →            ↘            ↘  
 \_\_\_\_\_ , \_\_\_\_\_  
 ↖            →            ↖            ←            ↖            →  
 \_\_\_\_\_ ”  
 \_\_\_\_\_ . \_\_\_\_\_  
 ↑            ←            →

Answer: “Trust in him at all times, O people; pour out your hearts to him, for God is our refuge.” Psalm 62:8

*Deacon on Call:  
Judy Zhitomi*

# February 2009

Sun	Mon	Tue	Wed	Thu	Fri	Sat
1 10:00 Worship 11:00 Coffee Hour 5:00 Contemporary Service	2 7:00 Deacon's Mtg	3 7:00 BOT Mtg.	4 10:30 Memorial Service @ Marathon Health Cntr	5 7:30 Sr. Choir	6	7 1:00 Cottage Meeting @ Rick & Liz Nor- mand's
8 8:30 Pancake Brkfst 10:00 Worship Baptism Alexei Genova 11:30 Annual Mtg Potluck Luncheon 5:00 Contemporary Service 6:00 Sr. High Youth Grp	9 7:00 Committee Night	10 7:00 Healing Service	11 7:00 Cottage Meetings @ Marge Biercevicz'	12 3:00 Confirmation Class 7:30 Sr. Choir	13	14
15 10:00 Worship 11:00 Coffee Hour/ Casserole Sunday 2:00 Cottage Mig @ Gayle Gourley's 5:00 Contemporary Service	16 11:00 Worship @ the Vil- lage at East Farms 7:00 Council Mtg.	17	18 6:30 Evening Women's	19 10:30 Worship at Marathon Health Center 7:30 Sr. Choir	20	21 Noon—Noon Homeless Awareness Sleepout 1:00 Cottage Meeting @ Kim Palmerie's
22 10:00 Worship 11:00 Coffee Hour 5:00 Contemporary Service	23 7:00 Cottage Meeting @ Sandy Plankey's	24 6-9 Shrove Tuesday Din- ner	25 7:00 Ash Wednesday Service	26 7:30 Sr. Choir	27	28

Prospect Congregational Church  
Men's Club  
Presents  
15<sup>th</sup> Annual St. Patrick's Dinner

Open to the Public

Saturday March 14  
5-7 pm

In the Church Hall

Menu of Corned Beef, Cabbage, Carrots, Potatoes and more

Call 758-5352 or the Church Office 758-4872  
to make reservations . . . . leave a message if no answer.  
\$10.00/person

Food . . . . . Fun . . . . . Music

# The Prospectus

FEBRUARY 2009



## **CHURCH STAFF**

The Rev. Phyllis A. Norman, Pastor  
The Rev. Doreen Horstman, Minister of Visitation  
Stewart W. Crouse, Director Of Music Ministry  
Mark Wilson, Sunday School Administrator  
Tina Soderberg, Office Administrator

Prospect Congregational Church  
25 Center Street, P.O. Box 7040  
Prospect, CT 06712-0040

**ADDRESS SERVICE REQUESTED**

## ***Prospectus Editors, Rick and Liz Normand***

*Articles can be left in the mailbox in the coatroom or e-mailed to **rickliz@aol.com** or **pccucc@snet.net**. Deadline for the newsletter is the third Wednesday of the month.*

Prospect Congregational Church  
Office Phone: 203-758-4872 Fax  
# 203-758-6316  
Pastor's Home 203-758-7818  
Church e-mail [pccucc@snet.net](mailto:pccucc@snet.net)  
Pastor's e-mail [revnorman@snet.net](mailto:revnorman@snet.net)  
Church Website [www.prospectctucc.org](http://www.prospectctucc.org)  
Office Hours Monday-Thursday  
8:30-1:30